

IS 3360 MX Highbay

COM1 - surface, sq.
 EAN 4007841 033569
 Article number 033569



infrared sensor
360°



18 m

2000 W

max. 2000 W



IP54



2 - 1000 lux



5 sec - 15 min



manual override



ideal 4 - 14 m

Teach

Teach mode



energy saving

Function description

A head for heights. Powerful reach. Reliable. IS 3360 MX Highbay motion detector – ideal for high ceilings in industrial buildings or commercial properties. For mounting heights of up to 14 m. High-precision 360° infrared sensor. Maximum reach: 18 m. For watching over up to 1000 sq.m. Available as square surface-mounted and concealed version.

Technical specifications

Dimensions (L x W x H)	65 x 95 x 95 mm	Capacitive load in µF	176 µF
With motion detector	Yes	Power consumption	0,26 W
Manufacturer's Warranty	5 years	Technology, sensors	passive infrared, Light sensor
Settings via	Remote control, Potentiometers, Smart Remote	Mounting height	4,00 – 14,00 m
With remote control	No	Mounting height max.	14,00 m
Version	COM1 - surface, sq.	Optimum mounting height	12 m
PU1, EAN	4007841033569	Detection angle	360 °
Type	Motion detectors	Angle of aperture	180 °
Application, place	Indoors	Sneak-by guard	Yes
Application, room	high-bay warehouse, sports hall, Indoors	Capability of masking out individual segments	Yes
Colour	white	Electronic scalability	No
Colour, RAL	9003	Mechanical scalability	No
Includes corner wall mount	No	Reach, radial	Ø 14 m (154 m ²)
Installation site	ceiling	Reach, tangential	Ø 36 m (1018 m ²)
Installation	Surface wiring, Ceiling	Switching zones	1416 switching zones
IP-rating	IP54	Cover material	shrouds

IS 3360 MX Highbay

COM1 - surface, sq.
 EAN 4007841 033569
 Article number 033569



Technical specifications

Ambient temperature	from -20 up to 50 °C
Material	Plastic
Mains power supply	220 – 240 V / 50 – 60 Hz
Switching output 1, resistive	2000 W
Switching output 1, number of LEDs / fluorescent lamps	8 pcs.
Fluorescent lamps, electronic ballast	1500 W
Fluorescent lamps, uncorrected	1000 VA
Fluorescent lamps, series-corrected	400 VA
Fluorescent lamps, parallel-corrected	400 VA
Switching output 1, low-voltage halogen lamps	2000 VA
LED lamps < 2 W	100 W
LED lamps > 2 W < 8 W	300 W
LED lamps > 8 W	600 W

Functions	Normal / test mode, Manual ON / ON-OFF
Twilight setting	2 – 1000 lx
Time setting	5 s – 15 Min.
Basic light level function	No
Main light adjustable	No
Twilight setting TEACH	Yes
Constant-lighting control	No
Interconnection	Yes
Type of interconnection	Master/master
Interconnection via	Cable
Interconnection, number	max. 10 sensors
Product category	Motion detector

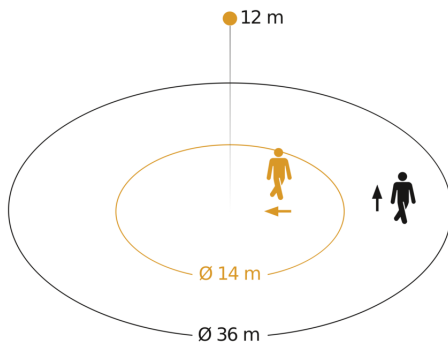
Accessories

EAN 4007841 009151	Remote control Smart Remote
EAN 4007841 559410	Service remote control RC8
EAN 4007841 056711	Black cover for IR-sensors

IS 3360 MX Highbay

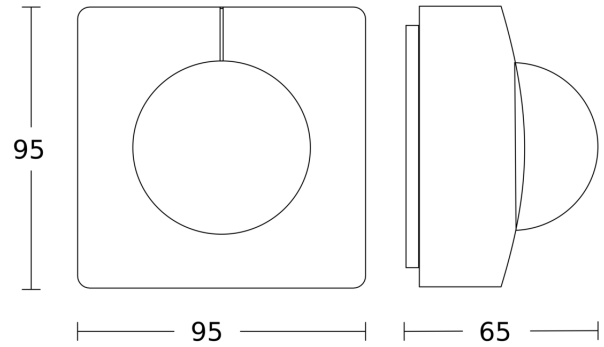
COM1 - surface, sq.
EAN 4007841 033569
Article number 033569

Detection Zone

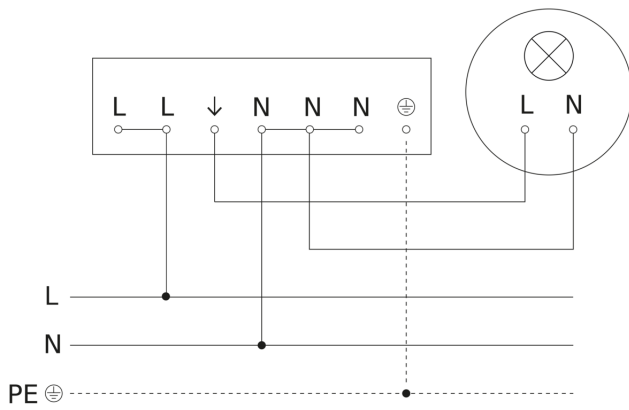


Possible mounting height: 4,00 m - 14,00 m
Orange: radial
Black: tangential

Dimension Drawing



Master circuit diagram

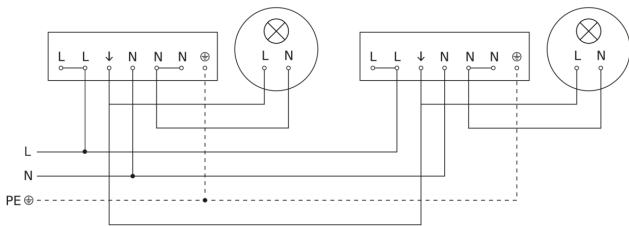


IS 3360 MX Highbay

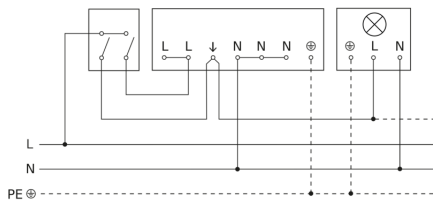
COM1 - surface, sq.
EAN 4007841 033569
Article number 033569



Master/slave interconnection circuit diagram



Connection using two-circuit switch for manual and automatic operation



Connection of 4-fold push-button coupler to DALI2 APC

